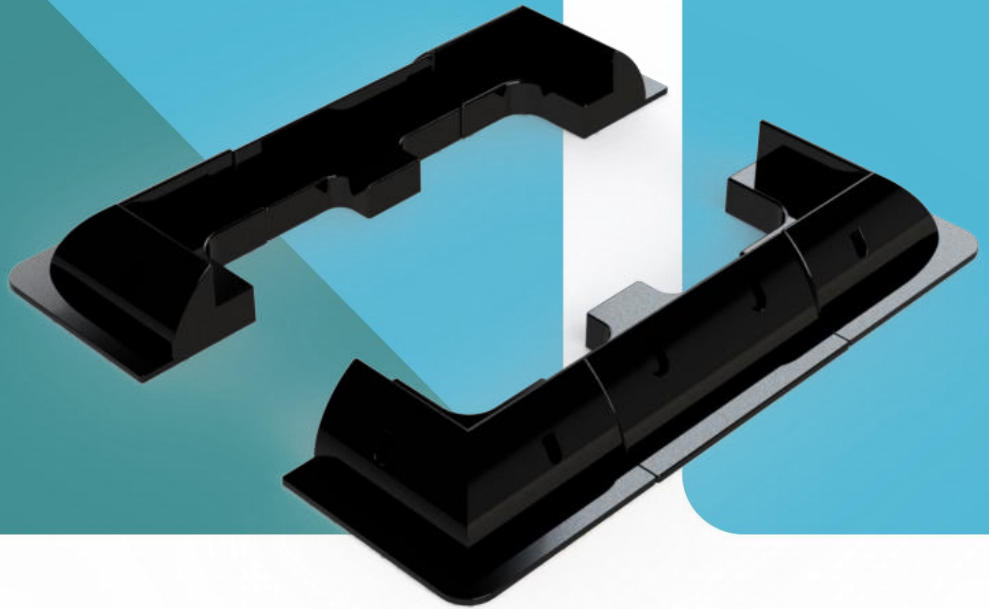


## Renogy MTS-CB

Corner Bracket Mount



2775 E Philadelphia St, Ontario, CA 91761  
1-800-330-8678

Version: 2.0

# Important Safety Instructions

Please save these instructions.

 **WARNING:** Indicates a potentially dangerous condition. Use extreme caution when performing this task.

**CAUTION:** Indicates a critical procedure for safe and proper operation of the system.

**NOTE:** Indicates a procedure or function that is important to the safe and proper operation of the system.

## General Safety Information

- Read all of the instructions and cautions in the manual before beginning the installation.
- Installation should be completed by a professional contractor to avoid damages that may be incurred due to improper sealing.
- Do **NOT** substitute parts from other manufacture ring sources, doing so may void the warranty and/or result in an unstable system
- This system is **NOT** possess any compliance with residential structural codes and should not be used in place of a system that is, if so required by local regulations

## Installer Responsibilities

- Installation compliance with any applicable codes which are in force at the installation site
- Installation compliance and compatibility with all system components and the environment including but not limited to roofing, system components, etc.
- Verification that all project information is accurate

## Table of Contents

<b>General Information</b> .....	4
<b>Identification of Components</b> .....	4
<b>Installation</b> .....	5
<b>Technical Specifications</b> .....	10
<b>Compatibility</b> .....	10
<b>Dimensions</b> .....	10

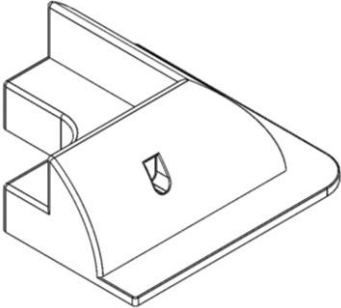
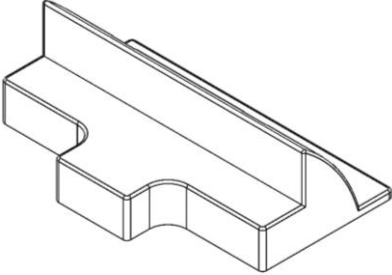
## General Information

The Renogy Corner Bracket Mount (MTS-CB) can be used with virtually any aluminum framed solar panels to provide drill-free and secure mounting to flat surfaces. The MTS-CB raises the solar panel to an optimum height that establishes an air gap that improves panel output performance. Additionally, the mounts act as a wind deflector while maintaining the air gap. With the MTS-CB, installation is cleaner and more flexible on most motorhomes, caravans, or boats.

### Key Features

- Non-corrosive, long lasting, and high quality ABS plastic construction
- 100% recyclable and UV resistant
- Drill-free mounting
- Designated for virtually any aluminum framed solar panels
- Best suitable for flat roofs of smooth aluminum, wood, or GRP material
- Easier and more flexible installation
- Compatible with all Renogy solar panels

## Identification of Components

	Part	Quantity
Corner Bracket (A)		4
Side Bracket (B)		2

## Installation

**NOTE:** These instructions are to serve as a simple guideline for installing the corner bracket mounts. Actual installations may vary with adhesive type or roof type. Consult your adhesive manufacturer for proper instructions of ABS plastic to a user defined roof material.

Recommended tools to have before installation:

- Assembly Adhesive (Sikaflex-252)
- Hand Pads (Scotchbrite Pads)
- Caulking gun
- Spirit Level
- Masking Tape
- Tape Measure

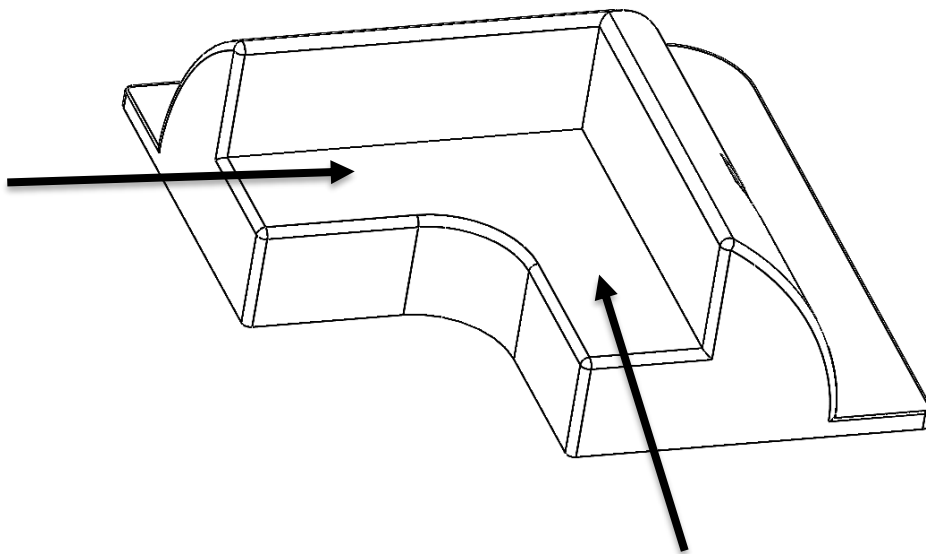


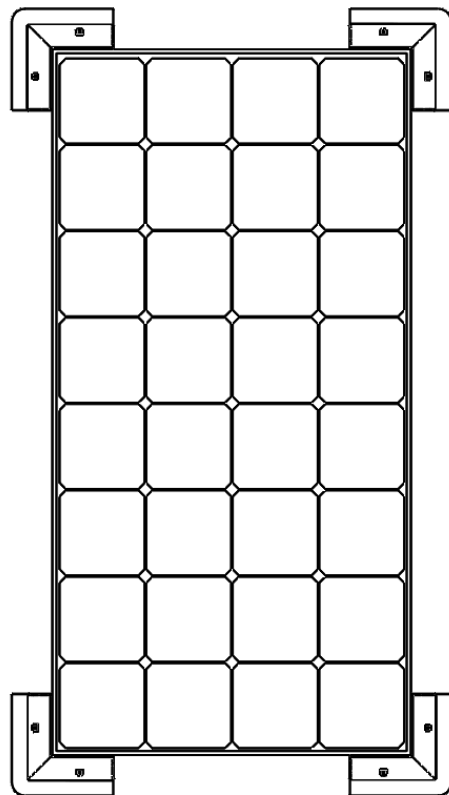
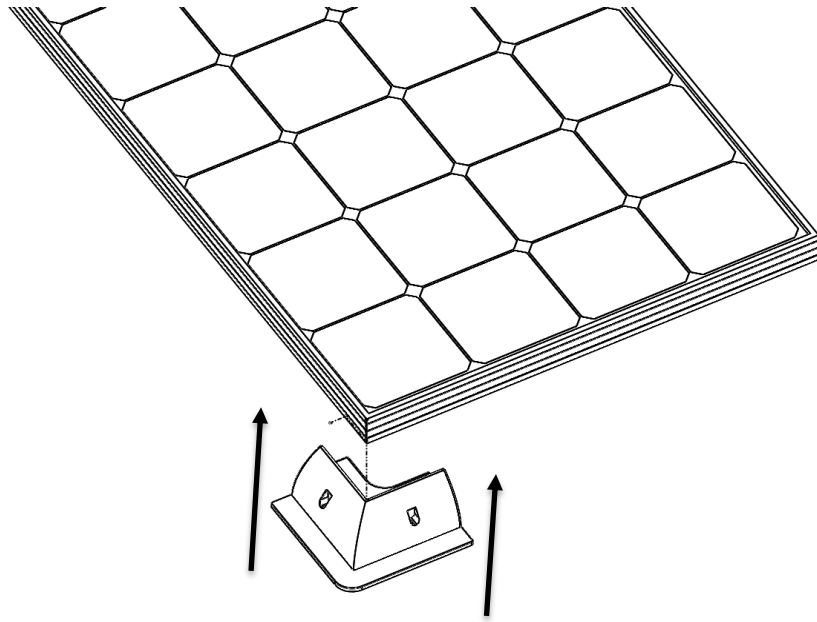
**WARNING:** Assembly adhesives contain hazardous chemicals that can be detrimental to one's health. Make sure to abide by the manufacturer's handling and care when using assembly adhesives.

### 1. Mate Corner Brackets to Solar Panel

- a. Apply adhesive to the top side of the corner bracket of where the panel will be installed
- b. Match corner bracket to solar panel corner
- c. Apply pressure to ensure proper contact
- d. Repeat for the other 3 corner brackets

**NOTE:** Adhere to adhesive manufacturer specifications for application and time to dry

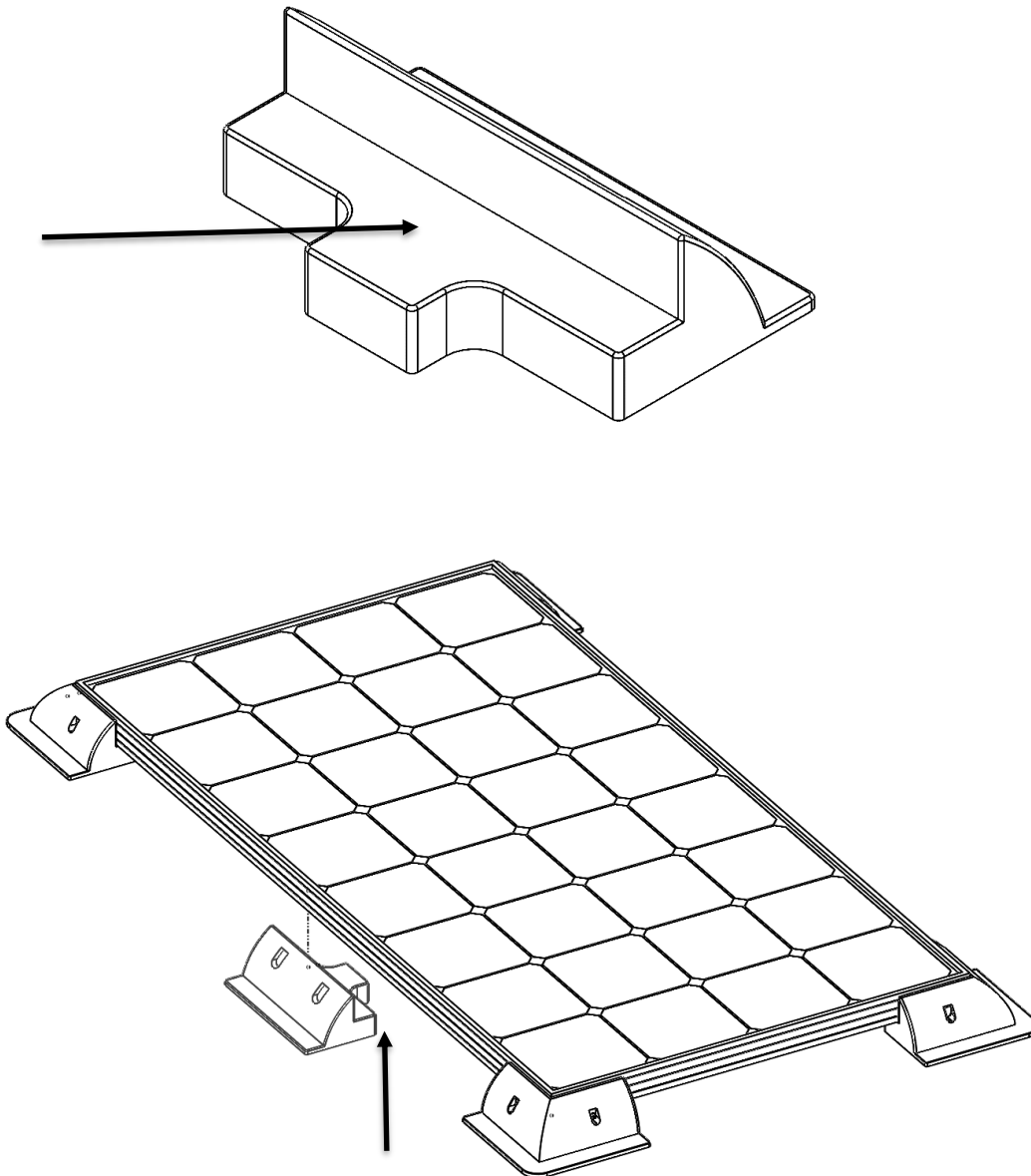


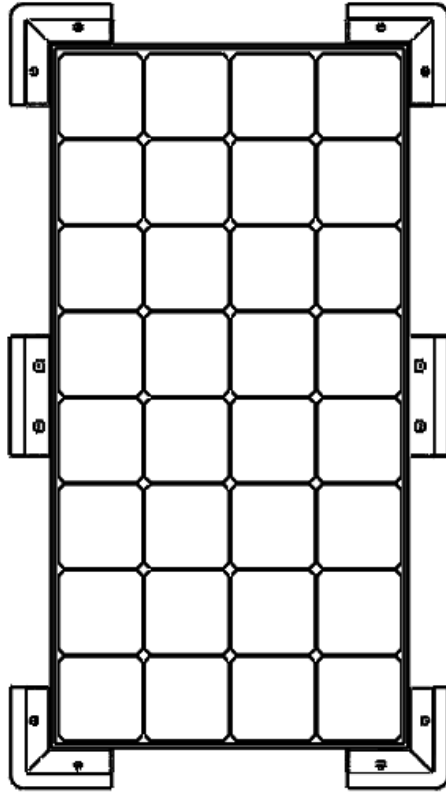


## 2. Mate Side Bracket to Solar Panel

- a. Apply adhesive to the top side of the side bracket of where the panel will be installed
- b. Place side bracket to solar panel side. Adjust for symmetry as needed.
- c. Apply pressure to ensure proper contact
- d. Repeat for the other side

**NOTE:** Adhere to adhesive manufacturer specifications for application and time to dry





### 3. Apply Adhesive to the brackets and install on flat surface

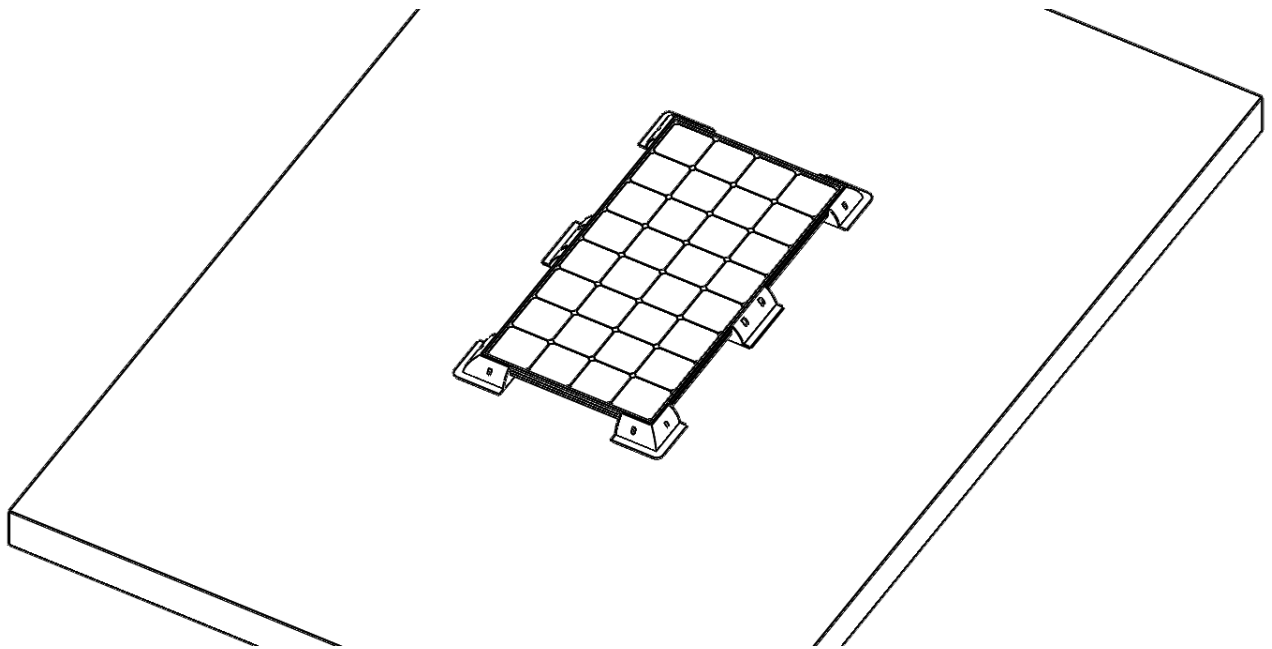
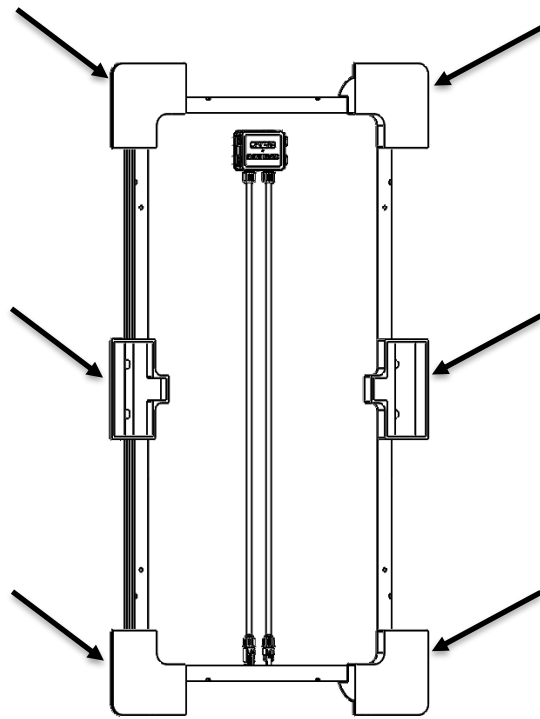
**NOTE:** Always mark out where the solar panel will be located on the flat surface before proceeding to apply adhesive

**NOTE:** Ensure the proper solar panel orientation so that the wires are coming out of the user desired side

- a. Clean the surface of the brackets and of the flat surface to ensure maximum bonding potential
- b. Apply adhesive to the bottom side of all the brackets where they will make contact with the flat mounting surface
- c. Apply pressure to ensure proper contact

**NOTE:** Adhere to adhesive manufacturer specifications for application and time to dry





## Technical Specifications

Parameter	Specification
Material	UV-resistant ABS Plastic
Weight (each component)	7.2 oz.
Side Bracket Dimensions (l x w x h)	7.0 x 4.6 x 2.3 in
Corner Bracket Dimensions (l x w x h)	5.9 x 5.9 x 2.3 in
Recommended Adhesive	Sikaflex 252 or alike

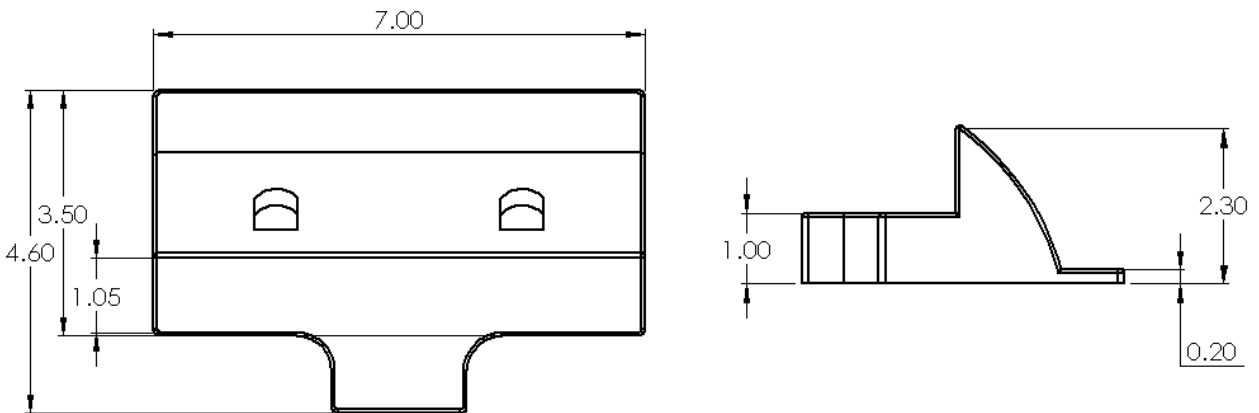
## Compatibility

The MTS-CB mounts are compatible with all Renogy solar panels excluding the solar suitcase models.

## Dimensions

**Note:** The following drawings utilize inches as their dimension units.

### Side Bracket



**Corner Bracket**

